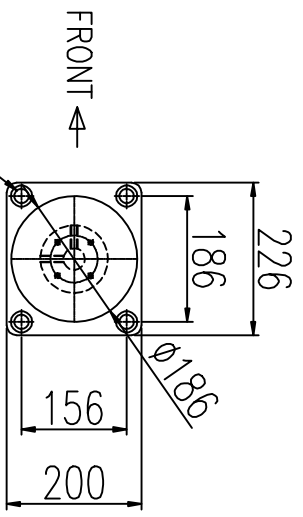


2-M10 TAP THRU
(90°)

4-M8 TAP DP25


SHANK HOLE (S=2:1)

4- $\phi 22$ DR THRU
 $\phi 32$ C.B DP 20



FLANGE SIZE

APPRO BY	--	MATERIAL	--	수량	SORESS-150S
CHECK BY	--	SCALE	1/1	ASSY NAME	LAYOUT DRAWING
DRAWN BY	Design Dept.	DATE	--	DWG. NO.	--


 (주) 한화기전
 HANWHA ENGINEERING & TECHNOLOGY CO., LTD.