

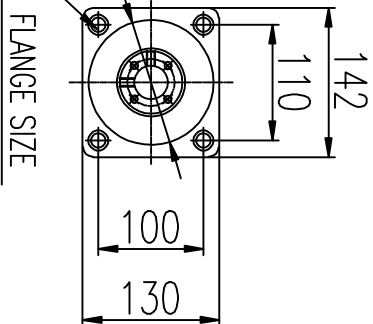
2-M8 TAP THRU
(90°)

4-M8 TAP DP20

SHANK HOLE (S=2:1)

FRONT ↖

4- $\phi 14$ DR THRU
 $\phi 20$ C.B DP 12



APPRO BY	--	MATERIAL	--	SCALE	1/1	ASSY NAME	SORESS-020S
CHECK BY	--	DATE	--	DESIGN DEPT.	--	LAYOUT DRAWING	--
DRAWN BY	Design Dept.	DATE	--	DIR.	DIR.		