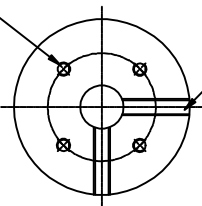


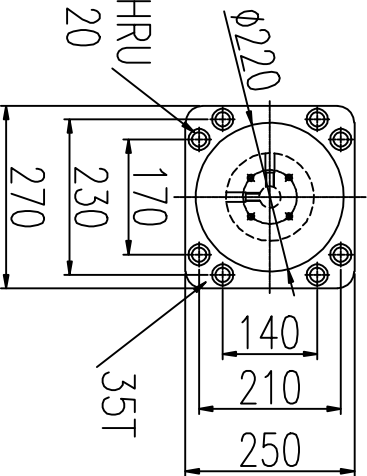
2-M12 TAP THRU
(90°)



4-M10 TAP DP30

SHANK HOLE (S=2:1)

8- $\phi 22$ DR THRU
 $\phi 32$ C.B DP 20



FLANGE SIZE

APPRO BY	--	MATERIAL	--	수량	SORESS-200S
CHECK BY	--	SCALE	1/1	ASSY NAME	LAYOUT DRAWING
DRAWN BY	Design Dept.	DATE	--	DWG. NO.	--


 (주) 현대 기계
 HYUNDAI MECHANICAL & EQUIPMENT CO., LTD.