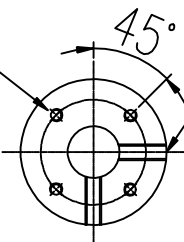
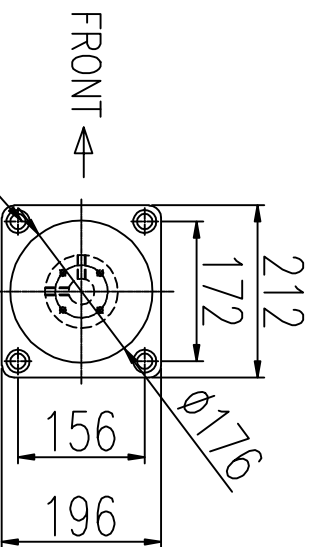


2-M10 TAP THRU
(90°)



4-M8 TAP DP25
SHANK HOLE (S=2:1)

4- $\phi 20$ DR THRU
 $\phi 29$ C.B DP 18



FLANGE SIZE

APPRO BY	--	MATERIAL	--	수량	SORESS-100S
CHECK BY	--	SCALE	1/1	ASSY NAME	LAYOUT DRAWING
DRAWN BY	Design Dept.	DATE	--	DWG. NO.	--


 (주) 현대 기계
 HYUNDAI MACHINE & EQUIPMENT CO., LTD.