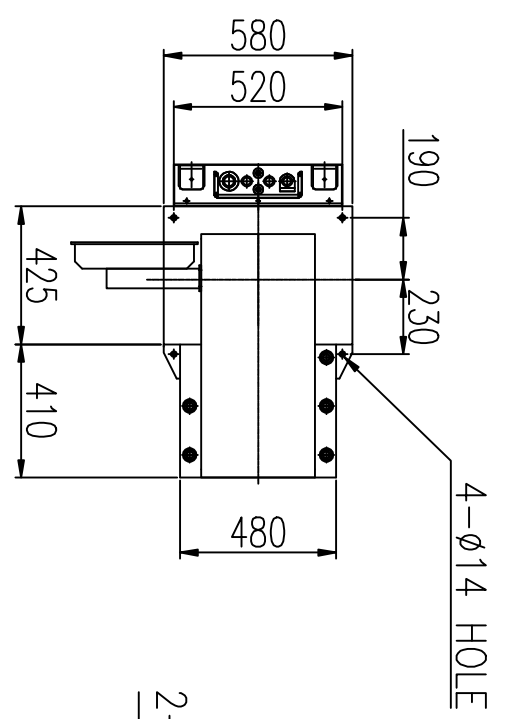
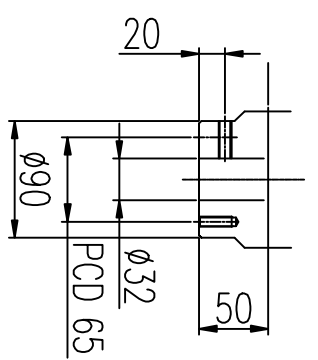


BASE

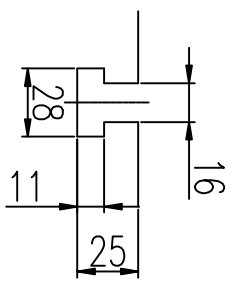


2-M10 TAP (90°)

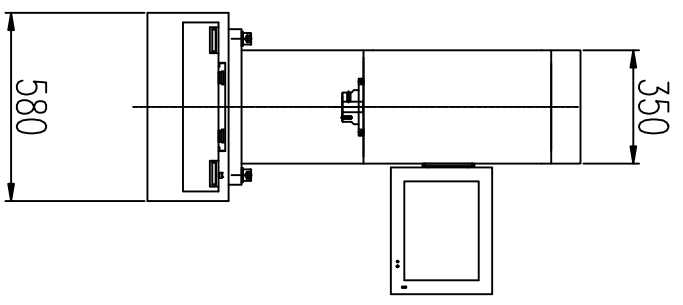
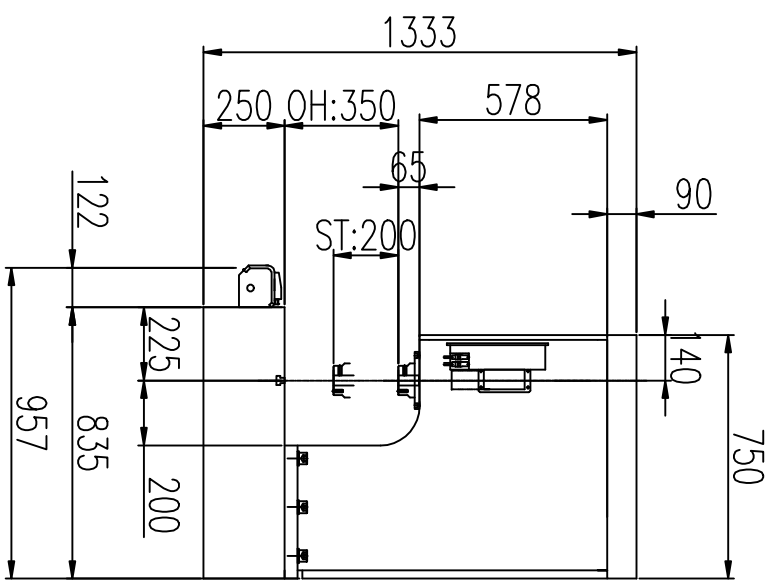
4-M8 TAP DP25



SHANK HOLE



T-SLOT



APPRO BY	--	MATERIAL	--	수량	SOPRESS-1008
CHECK BY	--	SCALE	1/1	ASSY NAME	LAYOUT DRAWING
DRAWN BY	Design Dept.	DATE	--	DMC/NO	--



(주) 한진 엔지니어링 & 테크놀로지

HANJIN ENGINEERING & TECHNOLOGY CO., LTD