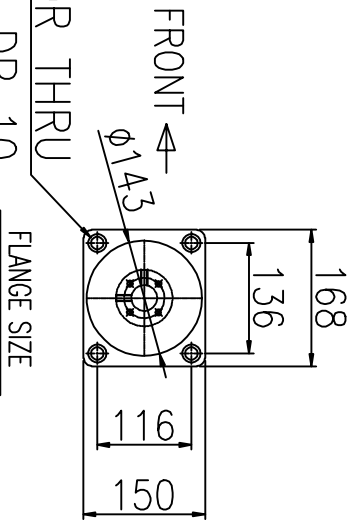


2-M8 TAP THRU
(90°)


4-M8 DP 25

SHANK HOLE (S=2:1)

4- $\phi 16$ DR THRU
 $\phi 23$ C.B DP 10



APPRO BY	--	MATERIAL	--	부품	SORESS-0505
CHECK BY	--	SCALE	1/1	ASSY NAME	LAYOUT DRAWING
DRAWN BY	Design Dept.	DATE	--	DWG. NO.	--


 (주) 현대 기계
 HYUNDAI MACHINE & EQUIPMENT CO., LTD.