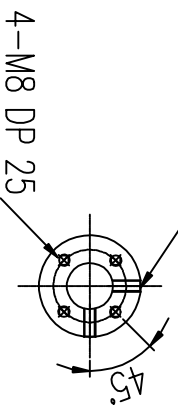
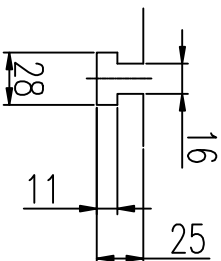


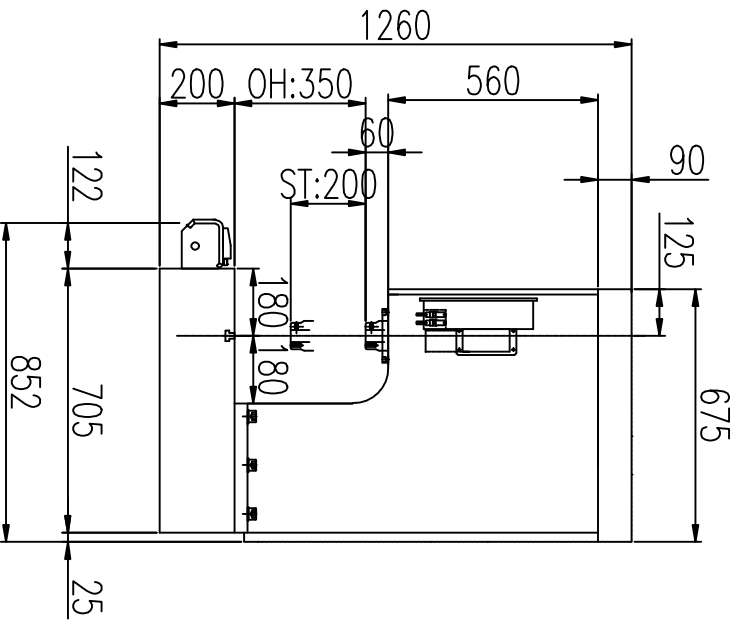
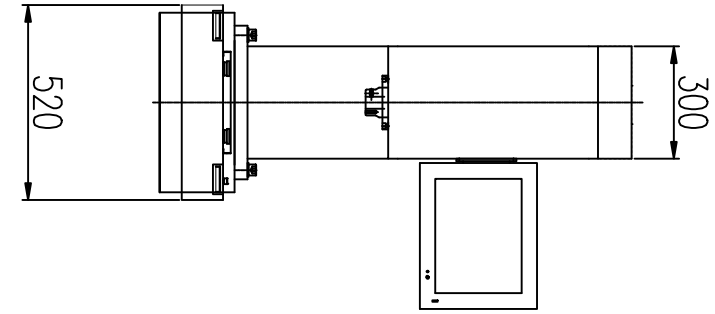
2-M8 TAP (90°)



SHANK HOLE



T-SLOT



APPRO BY	--	MATERIAL	--	수량	SOPRESS-0508
CHECK BY	--	SCALE	1/1	ASSY NAME	LAYOUT DRAWING
DRAWN BY	Design Dept.	DATE	--	DMG.NO	--


 (주) 한진 엔지니어링 & 머신러닝 CO., LTD.