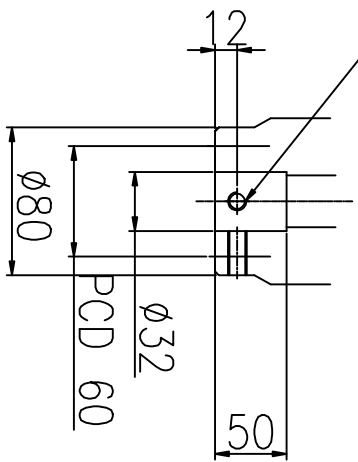
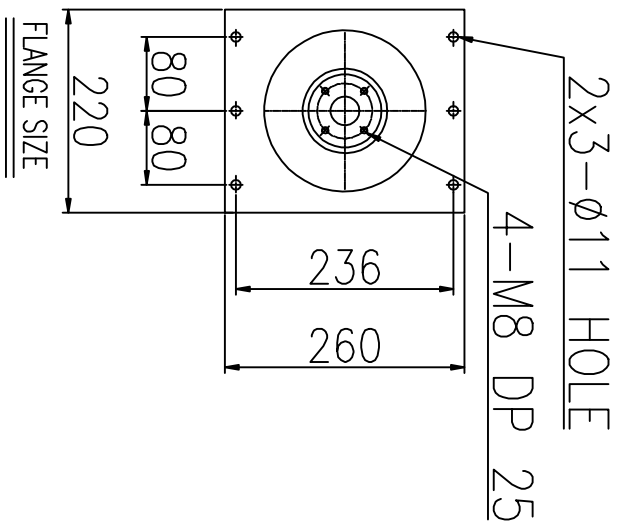


2-M10 TAP 90°



SHANK HOLE (S=2:1)



FLANGE SIZE

2x3- ϕ 11 HOLE

4-M8 DP 25

APPRO BY	--	MATERIAL	--	수량	SOPRESS-030U
CHECK BY	--	SCALE	1/1	ASSY NAME	LAYOUT DRAWING
DRAWN BY	Design Dept.	DATE	--	DMCAD	--

(주) 현대 기계
HYUNDAE MECHANICAL & ELECTRIC CO., LTD