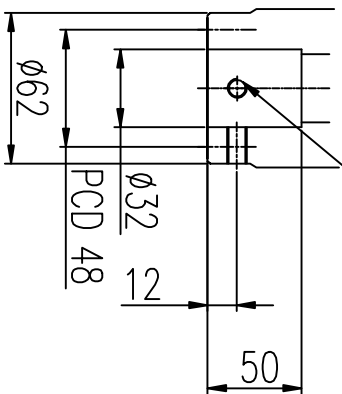
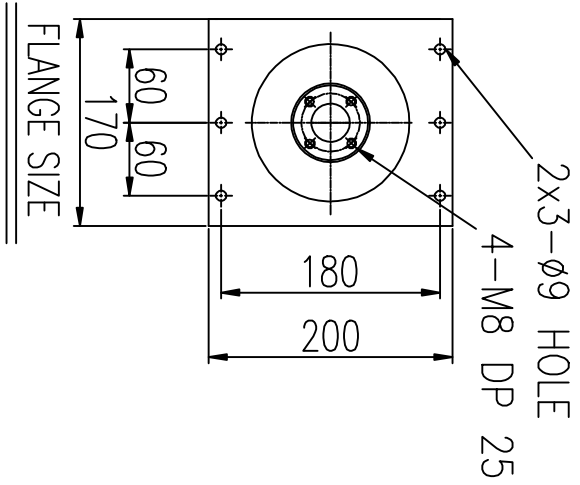


SHANK HOLE (S=2:1)



2-M8 TAP 90°



FLANGE SIZE

| | | | | | |
|----------|--------------|----------|-----|-----------|----------------|
| APPRO BY | -- | MATERIAL | -- | 주입 | SOPRESS-010U |
| CHECK BY | -- | SCALE | 1/1 | ASSY NAME | LAYOUT DRAWING |
| DRAWN BY | Design Dept. | DATE | -- | DWG. NO. | -- |



(주) 한 다 기 전
HAN HAN MACHINERY & ELECTRIC CO., LTD