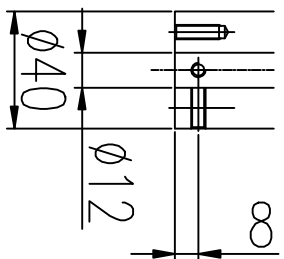
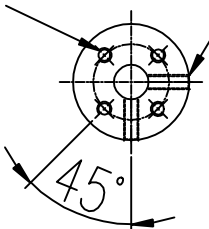


2-M5 TAP THRU'
(90°)

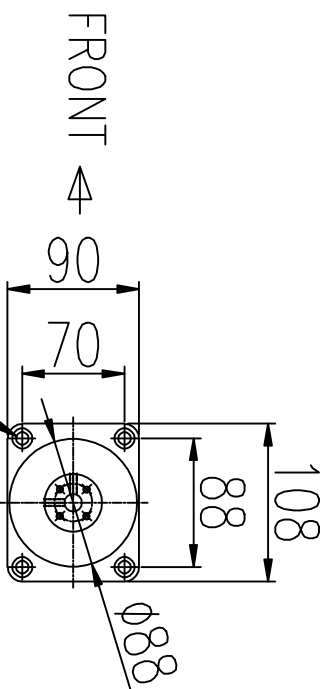


4-M5 TAP DP 15
(PCD 26)



SHANK HOLE (S=2:1)

4-ø9 HOLE
(ø14 C.B DP 8)



FLANGE SIZE

APPRO BY	--	MATERIAL	--	부품명	SORESS-003S
CHECK BY	--	SCALE	1/1	ASSY NAME	LAYOUT DRAWING
DRAWN BY	Design Dept.	DATE	--	DWG. NO.	--